

## HCC-680 Series

### HCC-680N

1/3", Super HAD, 0.1 lx, 550 TVL, NTSC, DC12V

### HCC-680P

1/3", Super HAD, 0.1 lx, 550 TVL, PAL, DC12V

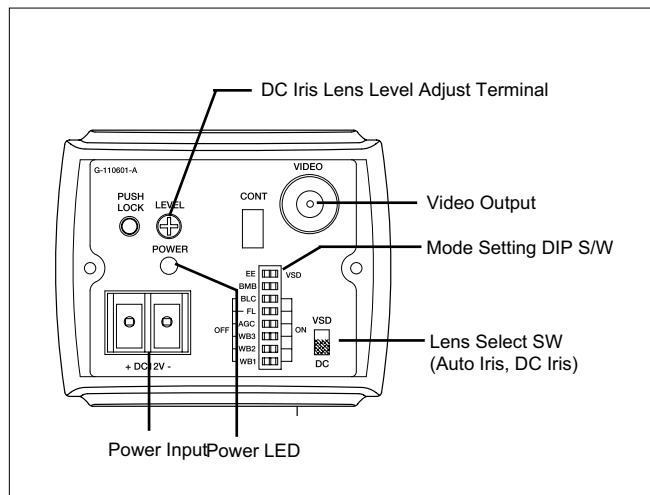


Lens not supplied with camera

### KEY FEATURES

- 550 TV Lines of Horizontal Resolution
- Anti-Color Rolling function (CRL)
- Built in Black Masking BLC™ (BMB) function
- 0.1 lx Minimum Illumination (F1.2, 30 IRE)
- 50dB Excellence S/N ratio
- ATW / AWC True Color Reproduction
- C & CS mount Lens adaptable
- DC12V

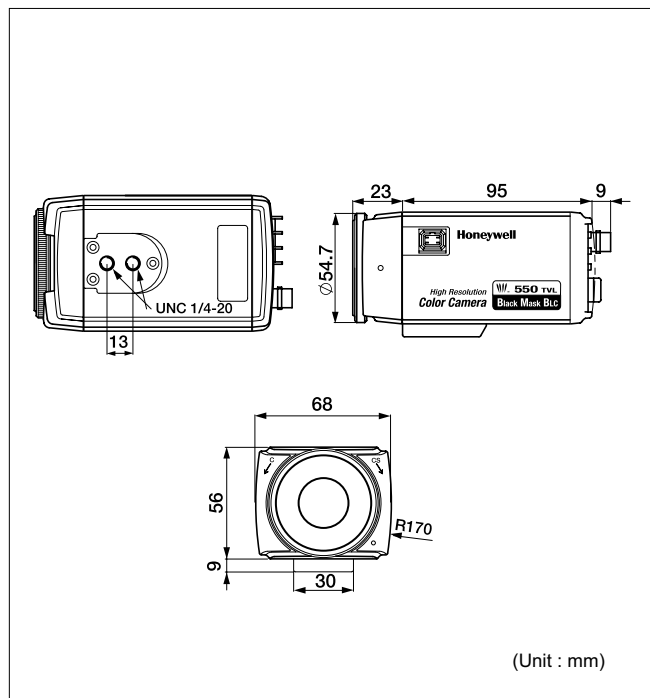
### CONNECTIONS



### SPECIFICATIONS

Model No.	HCC-680N	HCC-680P
Pick-up Device	1/3" Sony Super HAD CCD	
Effective	768(H) x 494(V)	752(H) x 582(V)
Television System	525Lines, 2:1 Interlace	625Lines, 2:1 Interlace
Sync. System	Internal Sync.	
Video Output	Composite (1.0Vp-p), 75Ω	
H. Resolution	More than 550 TV Lines	
S/N Ratio	More than 50 dB (AGC OFF)	
Minimum illumination	0.1 lx (30 IRE, AGC OFF)	
Shutter Control	ELC ( Electric Shutter) / ALC ( VSD/DC type selectable)	
Shutter Speed	1/60 sec ~ 1/100k sec	1/50 sec ~ 1/100k sec
White Balance	ATW / AWC / One Push lock	
Flickerless	ON / OFF	
BLC Mode	ON / OFF	
BMB Mode	ON / OFF	
AGC	LOW / HIGH	
Anti Color Rolling	ON / OFF	
Power Supply	DC 12V ± 2V	
Operation Temp.	-10~50°C (Recommended -5~50°C)	
Storage Temp.	-20~70°C	
Dimension	68(W) x 56(H) x 118(D) mm	
Color	Ivory	
Weight	350 g	
Certification	FCC (HCC-680N), CE (HCC-680P)	

### DIMENSIONS



(Unit : mm)