

## HCC-685 Series

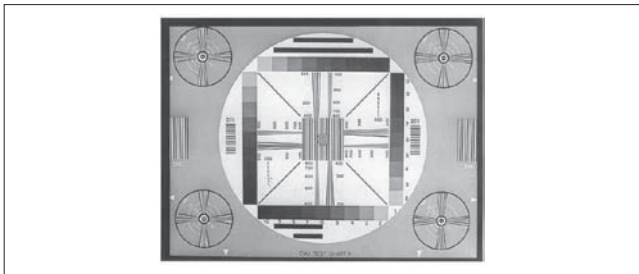
### Ultra High Resolution, TDN

#### HCC-685PT

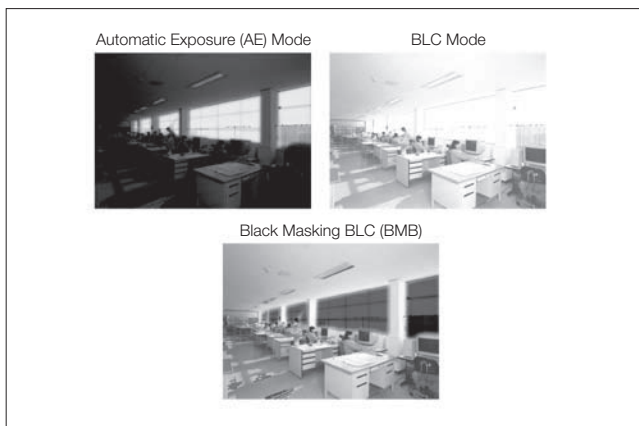
1/3", Super HAD, TDN, 0.02 lx, 550 TVL, PAL, DC12V/AC24V

### KEY FEATURES

- TDN
- Ultra High Resolution of 550 TV Lines or more



- Anti Color Rolling
- Back Light Compensation (BLC)
- BMB™ (Black Masking BLC)



#### BMB™

Black Mask BLC is a new Back Light Compensation technology developed by Honeywell. BMB allows a virtual block masking a strong light source, which leads to the aperture open, to see the background brighter and clearer.

Lens Sold Separately

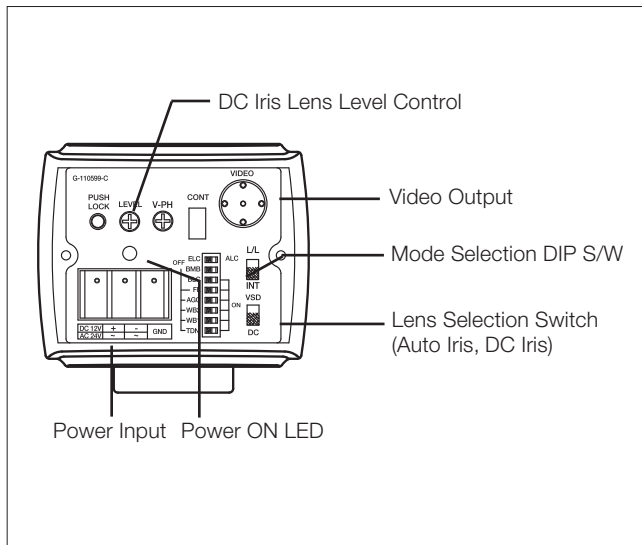
### SPECIFICATION

Model No.	HCC-685PT
Pick-up Device	1/3" Sony Super HAD CCD
Effective	752(H) x 582(V)
Television System	625 Lines, 2:1 Interlace
Sync. System	Internal / Line-Lock
Video Output	Composite (1.0Vp-p), 75Ω
Horizontal Resolution	550 TV Lines or More
S/N Ratio	50dB (AGC OFF) or Higher
Minimum Illumination	0.02 lx (AGC ON, 30 IRE, TDN ON)
Shutter Mode	ELC (Electric Shutter) / ALC (VSD/DC)
Shutter Speed	1/60 ~ 1/100,000 sec.
White Balance	ATW / AWC / One Push Lock
Flickerless	ON / OFF
BLC Mode	ON / OFF
BMB™ Mode	ON / OFF
AGC Mode	ON / OFF
TDN	ON / OFF
Power Source	AC 24V ±10% / DC 12V
Power Consumption	Approx. 3 W
Operating Temperature	-10°C ~ 50°C
Storage Temperature	-20°C ~ 70°C
Operating Humidity	10°C ~ 85% RH
Material	Aluminum
Color	Silver
Dimensions	68(W) x 56(H) x 120(D) mm
Weight	350g
Certification	CE

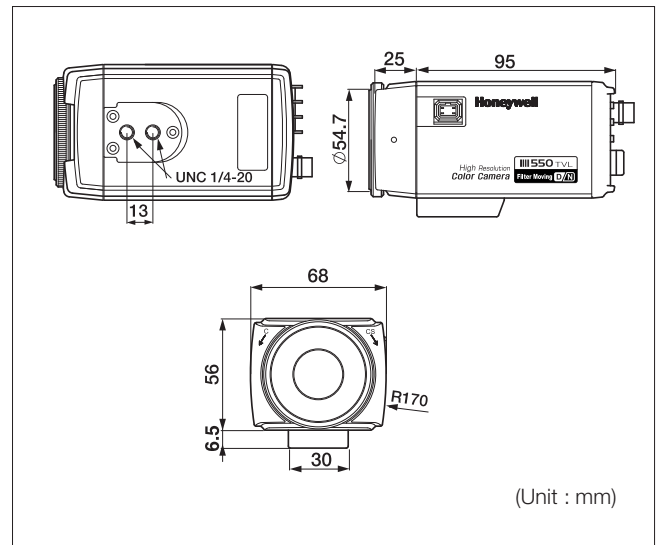
# HCC-685 Series

Ultra High Resolution, TDN

## CONNECTIONS



## DIMENSIONS



For more information:

Security Asia Pacific Headquarters: Tel: (86) 21-5257 4568  
 Security Australia: Tel: 1300 765 532  
 Security China: Tel: (86) 21 5257 4568  
 Security Hong Kong: Tel: (852) 2405 2323

Security India: Tel: (91) 124 4105671  
 Security Korea: Tel: (82) 2-799 6130  
 Security Singapore: Tel: (65) 6333 9563  
 Security Taiwan: Tel: (886) 2-2245 1000

[www.asia.security.honeywell.com](http://www.asia.security.honeywell.com)  
[security.ap@honeywell.com](mailto:security.ap@honeywell.com)

**Honeywell Security & Data Collection**  
 Automation & Control Solutions  
 Honeywell International Inc.  
[www.security.honeywell.com](http://www.security.honeywell.com)

Nov 2008  
 © 2008 Honeywell International Inc.