

HVD-505 Series

HVD-505N

Vandal Proof Dome, Varifocal, IP66, DC Drive

HVD-505P

Vandal Proof Dome, Varifocal, IP66, DC Drive

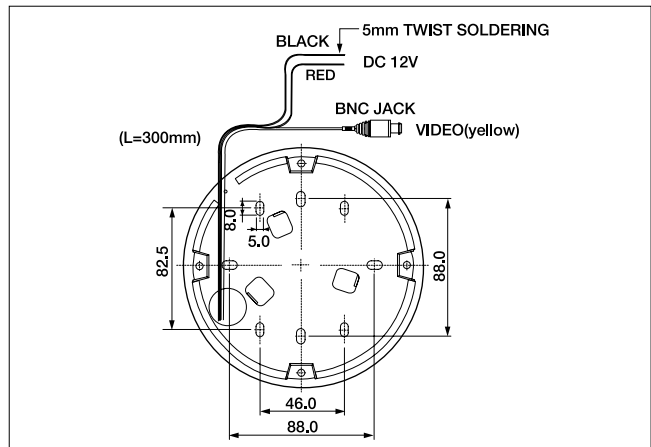


4~9mm lens supplied with camera

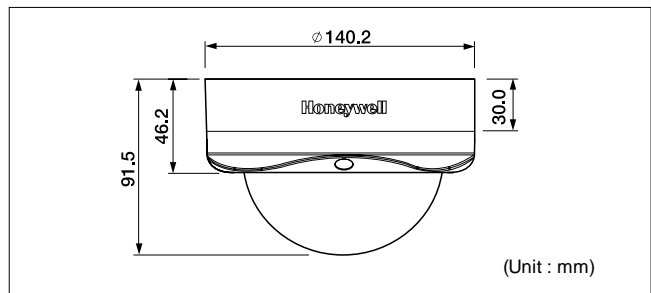
KEY FEATURES

- Vandal Proof Dome Camera
- 1/3 inch SONY Interline Color CCD
- Minimum illumination 0.5 lx
- High resolution 480 TV Lines
- High resolution picture quality through Digital Signal Processing
- High S/N ratio, more than 48dB
- Built-in 4mm~9mm Varifocal lens
- True Color Reproduction through Various White Balance
- Easy & Simple installation
- Protection against rain and wind (IP66)
- DC12V

CONNECTIONS



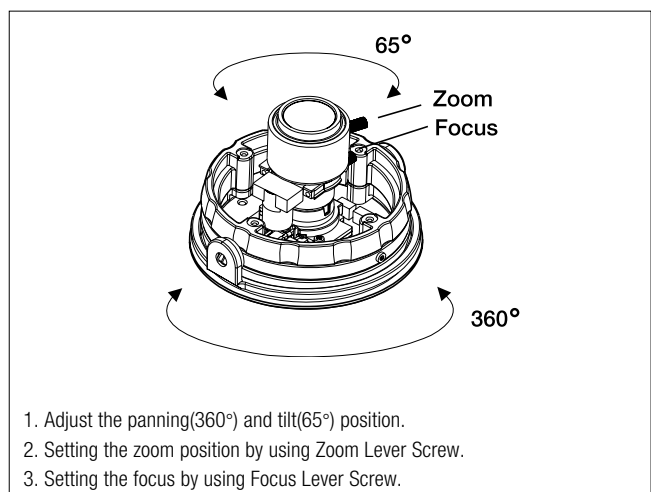
DIMENSIONS



SPECIFICATIONS

Model No.	HVD-505N	HVD-505P
Pick-up Device	1/3" Sony Interline Color CCD, 410K Pixels	
Effective Pixels	768(H) x 494(V)	752(H) x 582(V)
Television System	NTSC, 525 TV lines, Inmterlace PAL, 625 TV lines, 2:1 Interlace	
Sync System	Internal	
Horizontal Resolution	480 TV Lines	
Min. Illumination	0.5 Lux (@F1.2, 30IRE, AGC On)	
Shutter Speed	1/60 - 1/100,000	1/50 - 1/100,000
S/N Ratio	more than 48dB (AGC off)	
AGC	On	
White Balance	Auto	
BLC	On/Off	
Video Output	Composite (1.0Vpp), 75 ohms	
Power Source	DC12V(8~18V)	
Power Consumption	Max 70mA	
Connector	Video Output	BNC Cable
	Power	Wire Type
Operating Temperature	-10°C ~ +55°C	
Operating Humidity	90% RH (non-condensing)	
Storage Temperature	-20°C ~ +70°C	
Lens Mount	DC Type f=4~9mm Varifocal	
Horizontal Adjust Angle	0°~360°	
Vertical Adjust Angle	0°~60°	
Dome Material	Aluminum / Acryl	
Color	Ivory	
Weight	813g	
Dimensions	140(Ø) x 91.5(H), mm	
Cerification	FCC (HVD-505N), CE (HVD-505P)	

LENS ADJUSTMENTS



HD-DVR

CAMERA

DOME

LENS

DVR

MONITOR & ACCESSORIES