

## HVD-890

### WDR, DNR VANDAL DOME CAMERA

Honeywell HVD-890 series consists of vandal resistant fixed dome cameras that are perfect for indoor and outdoor applications. Loaded with high performance features, the HVD-890 series integrates a camera and lens into a single, vandal resistant, compact unit that needs only one snap for installation. This series with waterproof properties meets IP67 standards for critical outdoor installations.

The HVD-890 series incorporates Honeywell icore™ DSP and 1/3" CCD offering 540TV lines of horizontal resolution. In addition, built-in 2.8-10mm (F1.2) Vari-focal Auto Iris lens covers a wide range of viewing angles. HVD-890 Series meets all the application requirements with high performance and comprehensive design.

#### Market Opportunities

The HVD-890 series is the ideal solution for a wide range of surveillance applications. The compact, one-piece design allows fast, easy installation in commercial, government, school, professional, and any other quality-sensitive, high-risk environments such as prison, airport and train station.

### FEATURES

- 1/3" Super HAD CCD
- 540 TV lines horizontal resolution
- BLC, WDR, BMB™
- Minimum Illumination:0.0001lux
- 3D-DNR technology for noise reduction
- Multi-language support for OSD , motion detection, privacy zone masking
- IP67
- Day / Night (TDN : HVD-890NT / HVD-890PT, HVD-890NI / HVD-890PI)



With IR LED built-in

## HVD-890

### WDR, DNR VANDAL DOME CAMERA

#### SPECIFICATIONS

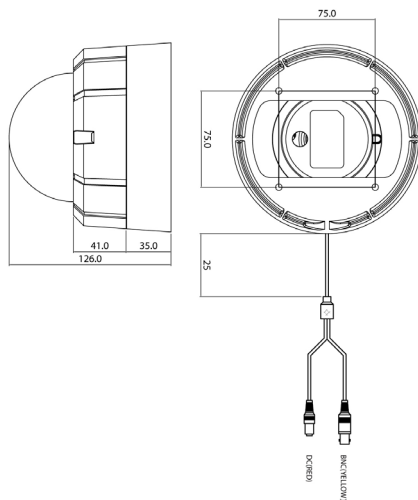
Model No.	HVD-890NV	HVD-890NT	HVD-890NI	HVD-890PV	HVD-890PT	HVD-890PI	
Video Standard	NTSC			PAL			
Image Sensor	1/3" Super HAD CCD						
Effective Pixels	768(H) x 494(V)			752(H)x 582(V)			
Horizontal Resolution	> 540 TV Lines						
Minimum Illumination	0.1 lx (F1.2) 0.001 lx (F1.2, MAX FIELDS x512)	0.1 lx (F1.2) 0.01 lx (F1.2, TDN ) 0.001 lx (F 1.2, MAX FIELDS x 512 ) 0.0001 lx (F1.2,TDN, MAX FIELDS x 512 )	0.1 lx (F1.2, ) 0.01 lx (F1.2, TDN ) 0.001 lx (F 1.2, MAX FIELDS x 512 ) 0 lx (IR LED ON)	0.1 lx (F1.2) 0.001 lx (F1.2, MAX FIELDS x512)	0.1 lx (F1.2) 0.01 lx (F1.2,TDN ) 0.001 lx (F 1.2, MAX FIELDS x 512 ) 0.0001 lx (F1.2,TDN On, MAX FIELDS x 512 )	0.1 lx (F1.2) 0.01 lx (F1.2,TDN ) 0.001 lx (F 1.2, MAX FIELDS x 512 ) 0 lx (IR LED ON)	
Video Output	1.0V p-p , 75 Ohms						
Synchronization	Internal						
Day/Night	SDN	TDN		SDN	TDN		
S/N Ratio	> 50dB						
Auto Gain Control ( AGC)	0-36dB						
Motion Detection	Off / On (64 zones, Sensitivity adjustable, Output: Mark & Alarm)						
Privacy Function	8 Zones						
BLC	OFF / BLC / WDR / BMB™						
OSD	ON / OFF						
AES(sec)	1/60 – 1/100,000s			1/50 – 1/100,000s			
Lens	f=2.8-10mm Varifocal (F1.2)						
White Balance	ATW / AWC / Indoor / Outdoor / Manual						
Power Source	DC12V± 2V						
Power Consumption	1.6W(MAX)	3.6W(MAX)		1.6W(MAX)	3.6W (Max)		
Operation Temperature	-10 ~ +50°C						
Humidity	90% RH (non-condensing)						
Dimensions(H x V x D)	138 x 138 x 132.5mm						
Weight	1.5kg						
IR LEDs				ON/OFF (5Ø, 60°, 850nm, 24pcs)			ON/OFF (5Ø, 60°, 850nm, 24pcs)
IP Rating	IP67						
Certification	CE, FCC						

## HVD-890

www.asia.security.honeywell.com

### WDR, DNR VANDAL DOME CAMERA

#### DIMENSIONS



#### ORDERING

Model	Description
HVD-890NV	540TVL, 0.001lx, SDN, 2.8~10mm vari-focal lens, vandal proof, DC12V, NTSC
HVD-890PV	540TVL, 0.001lx, SDN, 2.8~10mm vari-focal lens, vandal proof, DC12V, PAL
HVD-890NT	540TVL, 0.0001lx, TDN, 2.8~10mm vari-focal lens, vandal proof, DC12V, NTSC
HVD-890PT	540TVL, 0.0001lx, TDN, 2.8~10mm vari-focal lens, vandal proof, DC12V, PAL
HVD-890NI	540TVL, 0lx, built-in IR LED, TDN, 2.8~10mm vari-focal lens, vandal proof, DC12V, NTSC
HVD-890PI	540TVL, 0lx, built-in IR LED, TDN, 2.8~10mm vari-focal lens, vandal proof, DC12V, PAL

# HVD-890

[www.asia.security.honeywell.com](http://www.asia.security.honeywell.com)

## WDR, DNR VANDAL DOME CAMERA

For more information:

Security Asia Pacific Headquarters  
Security Australia  
Security Australia National Sales Hotline  
Security China  
Security China Customer Service Hotline

Tel: (86) 21-2219 6888  
Tel: (61) 2-9353 7000  
Tel: 1300 765 532  
Tel: (86) 21-2219 6888  
Tel: 400-8800-330

Security Hong Kong  
Security India  
Security Korea  
Security Singapore  
Security Taiwan

Tel: (852) 2405 2323  
Tel: (91) 124 4029800  
Tel: (82) 2-799 6130  
Tel: (65) 6333 9563  
Tel: (886) 2-2245 1000

[www.asia.security.honeywell.com](http://www.asia.security.honeywell.com)  
[security.ap@honeywell.com](mailto:security.ap@honeywell.com)

### Honeywell Security Group

Automation & Control Solutions  
Honeywell International Inc.  
[www.security.honeywell.com](http://www.security.honeywell.com)

Apr 2011  
© 2011 Honeywell International Inc.

The Honeywell logo is displayed in a bold, red, sans-serif font.