

# SNC-CH160

## Network HD Bullet Camera

- Excellent 720p HD picture quality, supporting H.264 at 30 fps
- 1.3 Megapixel (1280 x 1024) maximum resolution
- Three codecs (H.264, MPEG-4, JPEG) and a dual streaming capability
- The "Exmor" CMOS sensor incorporated to realise high image quality and low noise



**HD**

### Key Features

- Stream Squared function to send two 4:3 aspect ratio videos in user-selectable resolutions up to SD simultaneously.


Example




Dual Streaming



- IP66-rated waterproof and dust-tight feature for outdoor surveillance, or indoor where water ingress may pose an issue.
- Easy Focus/Easy Zoom functions for easy installation.
- Optical Day/Night function to switch to Day or Night mode depending on the light level.

- Recording software (RealShot Manager Lite) is bundled to start recording and monitoring instantly.
- Intelligent Motion Detection that supports DEPA. 
- Analog monitor output (phono jack).
- Powered by PoE (Power over Ethernet) for simple installation.

- Equipped with a built-in heater for continued camera operation in cold weather.
- ONVIF (Open Network Video Interface Forum) conformance that ensures greater interoperability and more flexibility in building multiple-vendor systems. 
- Built-in IR (Infrared) illuminators to assist capturing objects in the dark even under 0 lx, up to 15 m (49 feet) away.



OFF

ON

Actual images of one of Sony's HD cameras with IR illuminators.

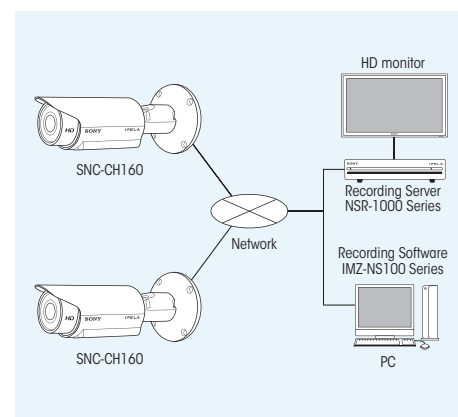
## SPECIFICATIONS

SNC-CH160	
<b>Camera</b>	
Image device	1/3 type progressive scan "Exmor" CMOS sensor
Minimum illumination	0.50lx (Color), 0 lx (BW) (IR ON) (F1.2/AGC 42dB/50IRE (IP))
Number of effective pixels (H x V)	1.4 Megapixel (1329 x 1049)
Electronic shutter speed	1 s to 1/10000 s
Gain control	Auto
Exposure control	Auto, EV Compensation, Auto Slow Shutter
White balance mode	Auto (ATW, ATW-PRO), Preset, One-push WB, Manual
Lens type	Vari-focal lens
Zoom ratio	Optical 2.9X
Horizontal viewing angle	85.4 to 31.2 degrees
Focal length	f=3.1 to 8.9 mm
F-number	F1.2 (Wide), F2.1 (Tele)
Minimum objects distance	300 mm
Powered focus	Yes (Easy Focus)
Powered zoom	Yes (Easy Zoom)
IR illuminators	Yes (Wave Length: 850nm [Typical], IR LED: 21 pcs)
<b>Camera Features</b>	
Day/Night *1	Yes
Noise reduction	Yes
<b>Image</b>	
Codec image size (H x V)	1280 x 1024, 1280 x 960, 1280 x 800, 1280 x 720*, 1024 x 768, 1024 x 576, 800 x 480, 768 x 576, 720 x 576, 720 x 480, 704 x 576, 640 x 480, 640 x 368, 384 x 288, 320 x 240, 320 x 192 (H.264, MPEG-4, JPEG)
Video compression format	H.264, MPEG-4, JPEG
Codec streaming capability	Dual streaming
Maximum frame rate	H.264: 20fps (1280 x 1024) / 30 fps (1280 x 720) MPEG-4: 25fps (1280 x 1024) / 30 fps (1280 x 720) JPEG: 30fps (1280 x 1024) / 30 fps (1280 x 720)
<b>Scene Analytics</b>	
Intelligent motion detection	Yes
<b>Network</b>	
Protocols	IPv4, IPv6, TCP, UDP, ARP, ICMP, IGMP, HTTP, HTTPS, FTP (client only), SMTP, DHCP, DNS, NTP, RTP/RTCP, RTSP, SNMP (MIB-2)
ONVIF conformance	Yes
Number of clients	5
Authentication	IEEE802.1X
<b>Analog Monitor Output</b>	
Signal system	NTSC / PAL
<b>Interface</b>	
Ethernet	10BASE-T / 100BASE-TX (RJ-45)
Analog monitor output	Phono jack x 1
Sensor input	x 1, make contact, break contact
Alarm output	x 1, 24V AC/DC, 1A (Mechanical relay outputs electrically isolated from the camera)
<b>General</b>	
Mass	1520 g (3 lb 6 oz)
Dimensions	ø93 x 186 mm (3 3/4 x 7 3/8 inches) ø140 x 334.8 mm (5 5/8 x 13 1/4 inches) (including arm)
Power requirements	PoE
Power consumption	12.9 W max
Starting temperature	-20 to +50 °C (-4 to +122°F)
Working temperature	-30 to +50 °C (-22 to +122°F)
Storage temperature	-20 to +60 °C (-4 to +140°F)
Ingress protection	IP66
Safety regulation	UL2044, FCC 15B Class A, IC Class A, IEC60950-1, EN55022(A)+EN55024+EN55030-4, VCCI Class A, C-Tick Class A
<b>System Requirements</b>	
Operating system	Microsoft Windows XP, Windows Vista(32bit), Windows 7(32bit)
Processor	Intel Core2 Duo 2 GHz or higher
Memory	1 GB or more
Web browser	Microsoft Internet Explorer Ver. 6.0, Ver. 7.0, Ver. 8.0 Firefox Ver. 3.5 (Plug-in free viewer only) Safari Ver. 4.0 (Plug-in free viewer only) Google Chrome Ver. 4.0 (Plug-in free viewer only)
<b>Supplied Accessories</b>	
	CD-ROM (User's Guide, SNC Toolbox) Installation manual Wire rope +M4x8 screw B&P Warranty Booklet Template

\*1 Removable IR Cut Filter. \*2 Resolution defined by SMPTE 296M.

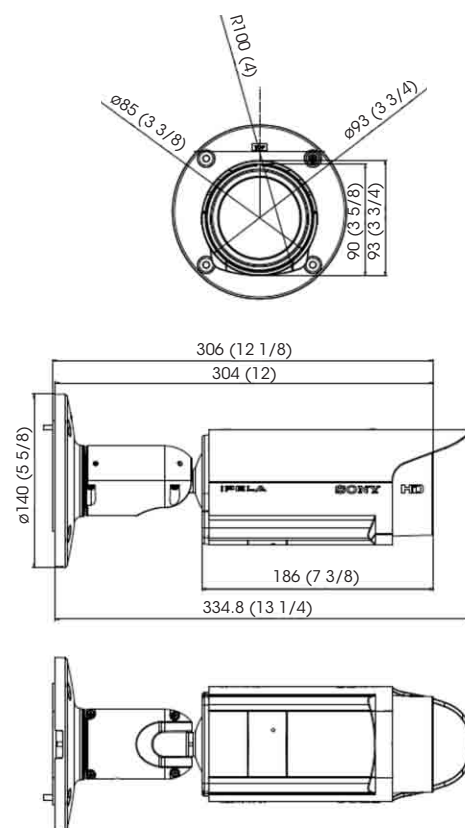
\*The SNC-CH160 includes software developed by the OpenSSL Project for use in the OpenSSL Toolkit (<http://www.openssl.org/>).

## SYSTEM CONFIGURATIONS



## DIMENSIONS

Unit: mm (inches)



Distributed by

©2010 Sony Electronics Asia Pacific Pte. Ltd. All rights reserved.  
Reproduction in whole or in part without written permission is prohibited.  
Features and specifications are subject to change without notice.  
The values for weight and dimension are approximate.  
"SONY" and "make.believe" are registered trademarks of Sony Corporation.  
IPELA and "Exmor" are trademarks of Sony Corporation.  
Windows, XP, and Vista are trademarks of Microsoft Corporation.  
Core is a trademark of Intel Corporation.  
All other trademarks are the property of their respective owners.

[pro.sony-asia.com/security](http://pro.sony-asia.com/security)