

## SNC-CH220

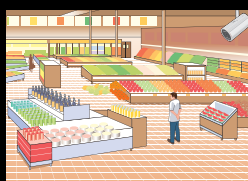
### Network HD Camera

- Excellent 1080p HD picture quality, supporting H.264 at 30 fps
- 1.3 Megapixel (1920 x 1440) maximum resolution
- Three codecs (H.264, MPEG-4, JPEG) and a dual streaming capability
- The "Exmor" CMOS sensor incorporated to realise high image quality and low noise

#### Key Features

- Easy Focus function for easy installation.
- Optical Day/Night function to switch to Day or Night mode depending on the light level.
- Recording software (RealShot Manager Lite) is bundled to start recording and monitoring instantly.
- Stream Squared function to send two 4:3 aspect ratio videos in user-selectable resolutions up to SD simultaneously.

Example



Dual Streaming



1st Streaming  
VGA video of a whole



2nd Streaming  
VGA video of a cropped area



Full HD  
1080

- Intelligent Motion Detection that supports DEPA. 
- Equipped with a phono jack to instantly monitor the video while installing the camera.
- Powered by PoE (Power over Ethernet) for simple installation.
- ONVIF (Open Network Video Interface Forum) conformance that ensures greater interoperability and more flexibility in building multiple-vendor systems. 

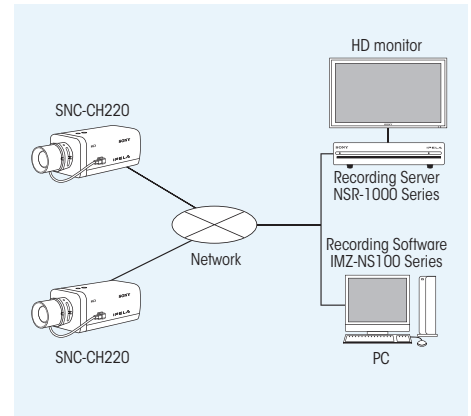
## SPECIFICATIONS

SNC-CH220	
<b>Camera</b>	
Image device	1/2.8 type progressive scan "Exmor" CMOS sensor
Minimum illumination	0.70lx (Color), 0.45lx (BW) (F1.2/AGC 42dB/50IRE [IP])
Number of effective pixels (H x V)	Approx. 3.27Megapixel (2096x1561)
Electronic shutter speed	1 s to 1/10000 s
Gain control	Auto
Exposure control	Auto, EV Compensation, Auto Slow Shutter
White balance mode	Auto (ATW, ATW-PRO), Preset, One-push WB, Manual
Lens type	CS Mount Vari-focal lens
Zoom ratio	Optical 2.1X
Horizontal viewing angle	101.2 degrees to 47.0 degrees
Focal length	f=2.8 mm to 6.0 mm
F-number	F1.3 (Wide), F1.9 (Tele)
Minimum objects distance	300 mm
Powered focus	Yes (Easy Focus)
<b>Camera Features</b>	
Day/Night *1	Yes
Noise reduction	Yes
<b>Image</b>	
Codec image size (H x V)	1920 x 1440, 1600 x 1200, 1680 x 1056, 1920 x 1080*, 1440 x 912, 1376 x 768, 1280 x 960, 1280 x 800, 1280 x 720*, 1280 x 1024, 1024 x 768, 1024 x 576, 800 x 480, 768 x 576, 720 x 576, 704 x 576, 720 x 480, 640 x 480, 640x 368, 384 x 288, 320 x 240, 320 x 192 (H.264, MPEG-4, JPEG)
Video compression format	H.264, MPEG-4, JPEG
Codec streaming capability	Dual streaming
Maximum frame rate	H264: 20fps (1920 x 1440) / 30fps (1920 x 1080) MPEG-4: 15fps (1920 x 1440) / 25 fps (1920 x 1080) JPEG: 10fps (1920 x 1440) / 15fps (1920 x 1080)
<b>Scene Analytics</b>	
Intelligent motion detection	Yes
<b>Network</b>	
Protocols	IPv4, IPv6, TCP, UDP, ARP, ICMP, IGMP, HTTP, HTTPS, FTP (client only), SMTP, DHCP, DNS, NTP, RTP/RTCP, RTSP, SNMP (MIB-2)
ONVIF conformance	Yes
Number of clients	5
Authentication	IEEE802.1X
<b>Analog Video Output</b>	
Signal system	NTSC / PAL
<b>Interface</b>	
Ethernet	10BASE-T / 100BASE-TX (RJ-45)
Analog monitor output	Phono jack x 1 (1.0 Vp-p, 75 ohms, unbalanced, sync negative)
Sensor input	x 1, make contact, break contact
Alarm output	x 1, 24V AC/DC, 1A (mechanical relay outputs electrically isolated from the camera)
<b>General</b>	
Mass	550 g (1 lb 3 oz) with lens
Dimensions	72 x 63 x 197.3 mm (2 7/8 x 2 1/2 x 7 3/4 inches)
Power requirements	PoE (IEEE802.3af compliant)
Power consumption	5.0 W Max.
Starting temperature	0 °C to 50 °C (32 °F to 122 °F)
Working temperature	-10 °C to +50 °C (14 °F to 122 °F)
Storage temperature	-20 °C to +60 °C (-4 °F to +140 °F)
Safety regulation	UL2044, FCC 15B Class A, IC Class A, IEC60950-1, EN55022(A)+EN55024+EN50130-4, VCCI Class A, C-Tick Class A
<b>System Requirements</b>	
Operating system	Microsoft Windows XP, Windows Vista(32bit), Windows 7(32bit)
Processor	Intel Core2 Duo 2 GHz or higher
Memory	1 GB or more
Web browser	Microsoft Internet Explorer Ver. 6.0, Ver. 7.0, Ver. 8.0 Firefox Ver.3.5 (Plug-in free viewer only) Safari Ver.4.0 (Plug-in free viewer only) Google Chrome Ver.4.0 (Plug-in free viewer only)
<b>Supplied Accessories</b>	
CD-ROM (Users guides, and Supplied programs), Wire rope, Screw M4, Installation Manual	

\*1 Removable IR Cut Filter. \*2 Resolution defined by SMPTE 274M. \*3 Resolution defined by SMPTE 296M.

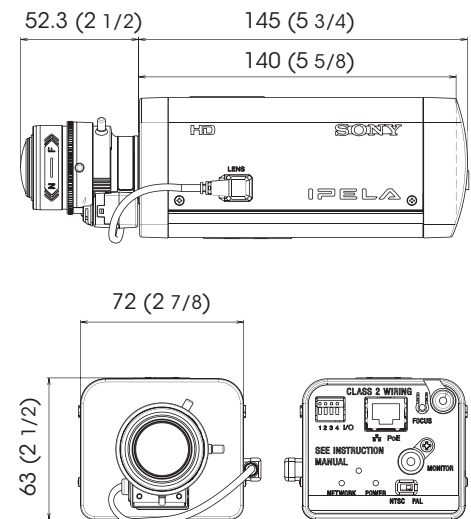
\*The SNC-CH220 includes software developed by the OpenSSL Project for use in the OpenSSL Toolkit (<http://www.openssl.org/>).

## SYSTEM CONFIGURATION



## DIMENSIONS

Unit: mm (inches)



Distributed by

©2010 Sony Electronics Asia Pacific Pte. Ltd. All rights reserved.  
Reproduction in whole or in part without written permission is prohibited.  
Features and specifications are subject to change without notice.  
The values for weight and dimension are approximate.  
"SONY" and "make.believe" are registered trademarks of Sony Corporation.  
IPELA and "Exmor" are trademarks of Sony Corporation.  
Windows, XP, and Vista are trademarks of Microsoft Corporation.  
Core is a trademark of Intel Corporation.  
All other trademarks are the property of their respective owners.

[pro.sony-asia.com/security](http://pro.sony-asia.com/security)